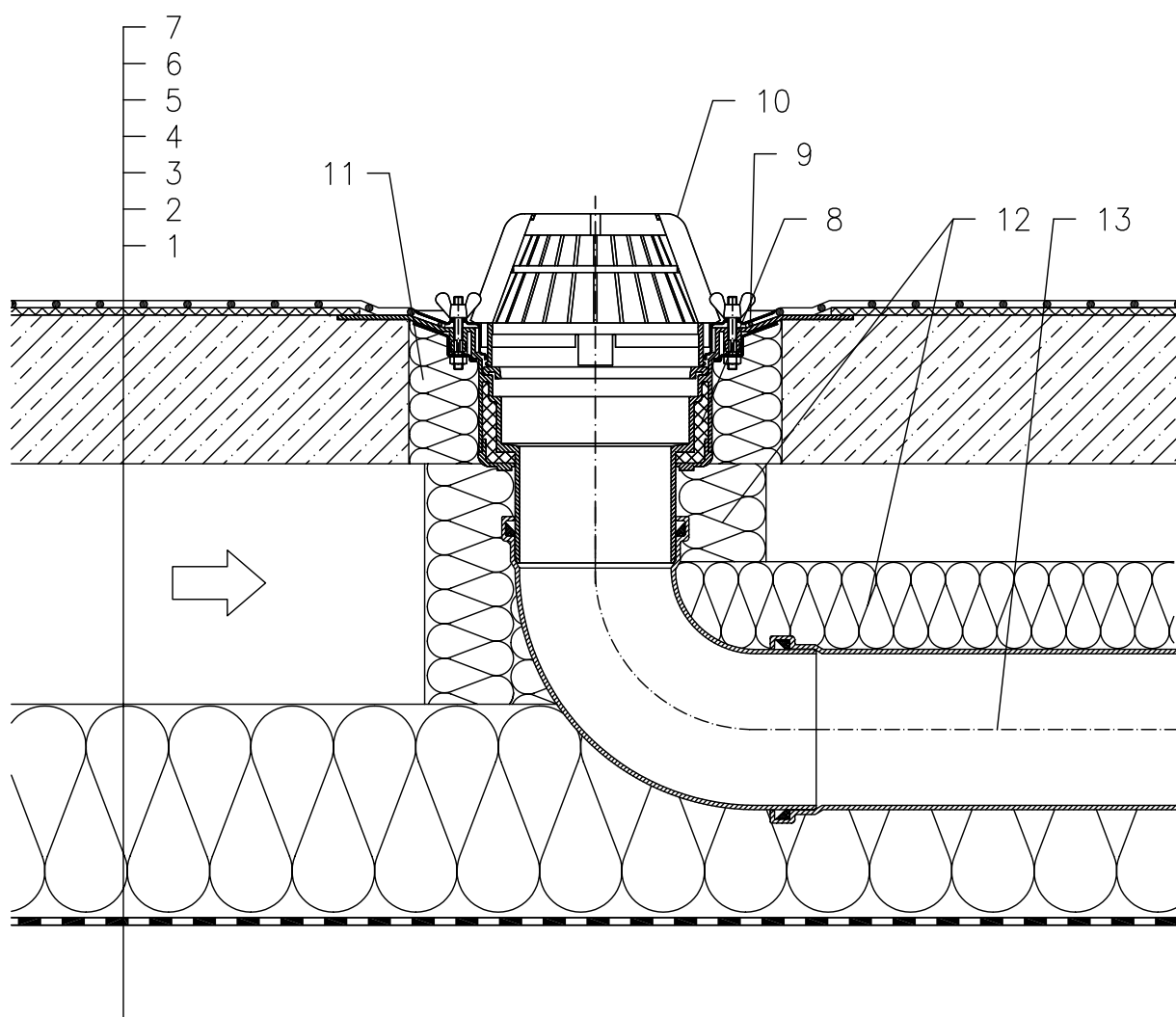


DOUBLE LAYER ROOF – ANCHORED SYSTEM, CONCRETE SUPPORTING STRUCTURE
PLASTIC FOIL WATERPROOFING



- 1 SUPPORT CONSTRUCTION
- 2 MOISTURE STOP AND TEMPORARY SAFETY WATERPROOFING FROM BITUMEN SHEET OR PLASTIC FOIL
- 3 THERMAL INSULATION
- 4 AIR LAYER
- 5 UPPER CLADDING SUPPORTING STRUCTURE – CONCRETE
- 6 DILATATION LAYER
- 7 PLASTIC FOIL WATERPROOFING MECHANICALLY ANCHORED
- 8 FLAT-ROOF DRAIN HL62 WITH INSULATED DRAIN BODY, FLANGE AND STAINLESS STEEL CLAMPING RING
- 9 SEALING PACKING (SEE DETAIL-ACCESSORIES)
- 10 DOMED PLASTIC GRATE $\varnothing 180$ mm (INCL. WITH HL62)
- 11 ASSEMBLY FOAM
- 12 DOWNPIPE THERMAL INSULATION
- 13 DOWNPIPE

NOTE:

FLAT-ROOF DRAIN HL62.1 HEATED (230V, 10–30 WATTS) CAN BE USED.

ASSEMBLY INLET: $\varnothing 220$ MM, ALTERNATIVELY 240X360 MM