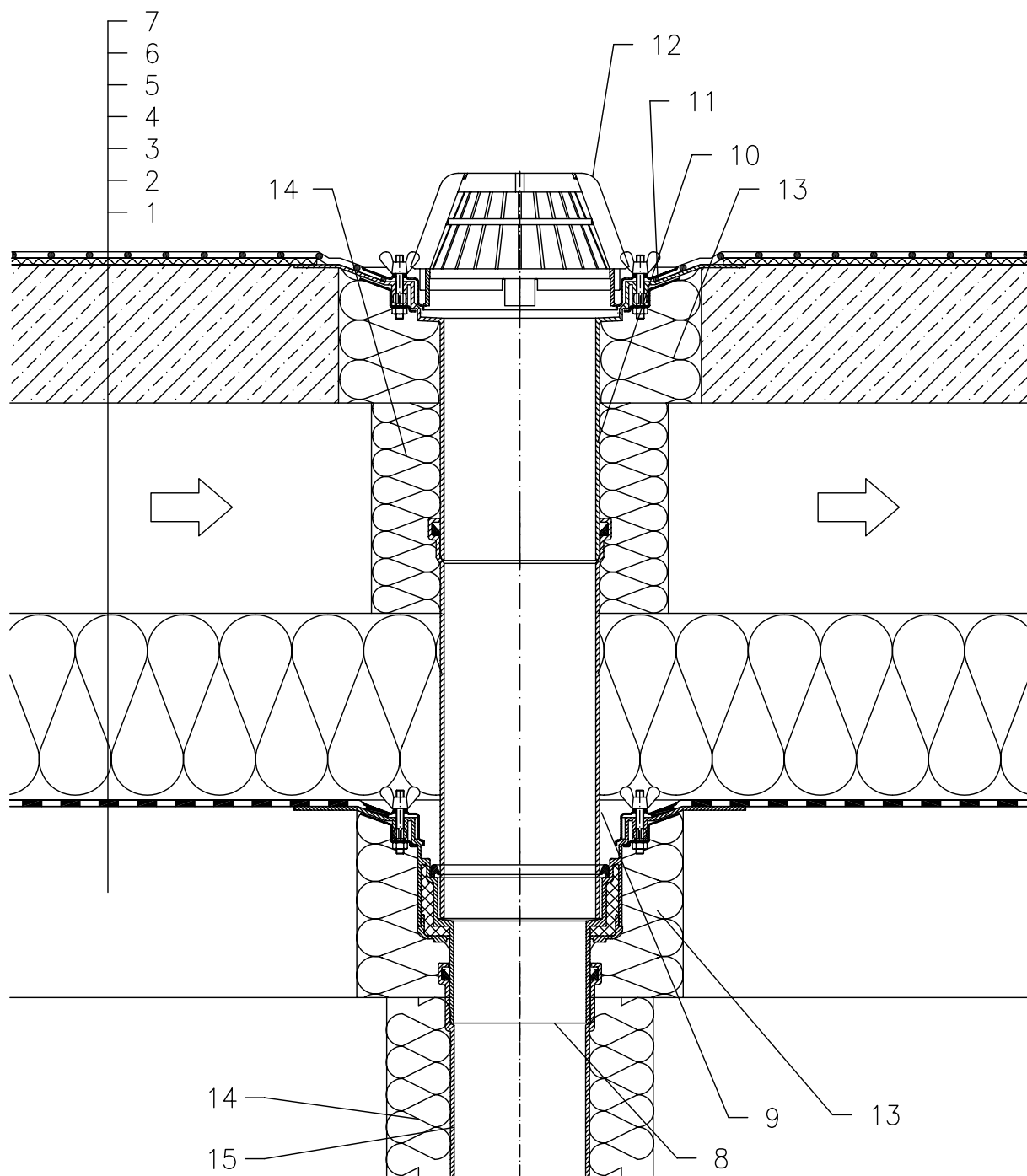


DOUBLE LAYER ROOF – GLUED SYSTEM, CONCRETE SUPPORTING STRUCTURE  
PLASTIC FOIL WATERPROOFING



- 1 SUPPORT CONSTRUCTION
- 2 MOISTURE STOP AND TEMPORARY SAFETY WATERPROOFING FROM BITUMEN SHEET OR PLASTIC FOIL
- 3 THERMAL INSULATION
- 4 AIR LAYER
- 5 UPPER CLADDING SUPPORTING STRUCTURE – CONCRETE
- 6 DILATATION LAYER
- 7 PLASTIC FOIL WATERPROOFING NON-SOLID GLUED
- 8 FLAT-ROOF DRAIN HL62 WITH INSULATED DRAIN BODY, FLANGE AND STAINLESS STEEL CLAMPING RING
- 9 EXTENSION WITH TUBE DN125
- 10 EXTENSION HL65 WITH FLANGE, STAINLESS STEEL CLAMPING RING AND LIP SEAL
- 11 SEALING PACKING (SEE DETAIL-ACCESSORIES)
- 12 DOMED PLASTIC GRATE  $\varnothing$ 180 mm (INCL. WITH HL62)
- 13 ASSEMBLY FOAM
- 14 DOWNPIPE THERMAL INSULATION
- 15 DOWNPIPE

NOTE:

FLAT-ROOF DRAIN HL62.1 HEATED (230V, 10–30 WATTS) CAN BE USED.

ASSEMBLY INLET:  $\varnothing$ 220 MM, ALTERNATIVELY 240X360 MM