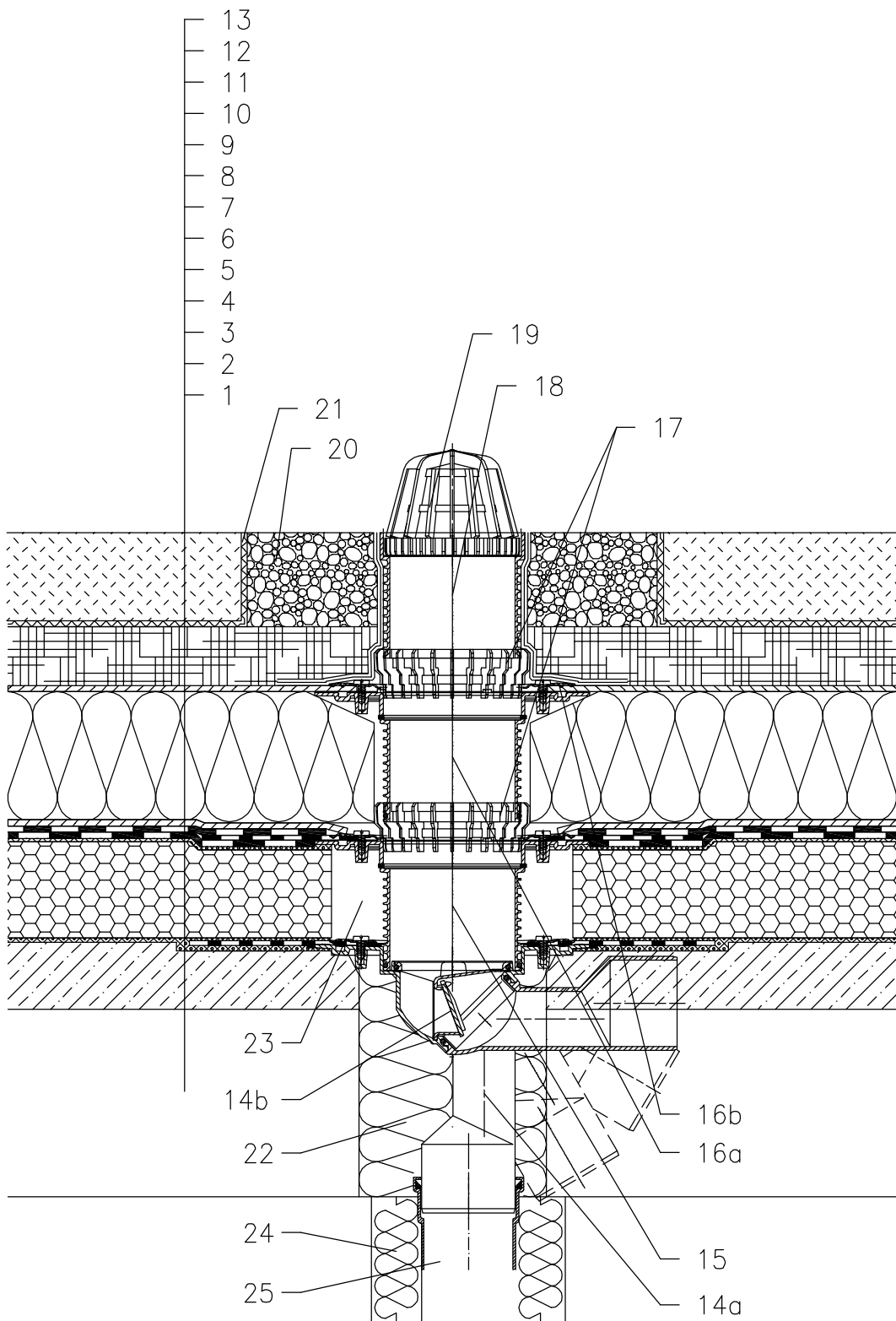


ROOF WITH THERMAL INSULATION – EXTENSIVE GRASSING, COMBINED ORDER OF LAYERS, COMPACT ROOF VARIANT
BITUMEN SHEETS



- 1 SUPPORT CONSTRUCTION
- 2 CONCRETE GRAVITY LAYER
- 3 HOT BITUMEN
- 4 THERMAL INSULATION – FOAMED GLASS
- 5 HOT BITUMEN
- 6 BITUMEN SHEET WATERPROOFING
- 7 BITUMEN SHEET WATERPROOFING
- 8 DRAINAGE LAYER
- 9 XPS THERMAL INSULATION
- 10 DRAINAGE LAYER
- 11 WATER ACCUMULATING LAYER
- 12 FILTER LAYER
- 13 VEGETATION LAYER (UNDER 200mm)
- 14a ROOF DRAIN HL80.3H
WITH BITUMEN MEMBRANE ϕ 400 mm
- 14b FROST-PROOF FLAP HL080.4E
(NOT INCLUDED IN HL80.3H)
- 15 EXTENSION HL85NH WITH BITUMEN MEMBRANE
 ϕ 400 mm; INCL. O-RING (HL340N)
- 16a EXTENSION HL85N WITH FLANGE
INCL. O-RING, (HL340N)
- 16b SEALING KIT HL83.0
- 17 DRAINAGE RING HL180
- 18 EXTENSION HL340N
- 19 LEAF STRAINER ϕ 110 mm
(INCLUDED IN HL80.3H)
- 20 GRANULAR FILL
- 21 SEPARATING LAYER
- 22 ASSEMBLY FOAM
- 23 FILL FREE SPACE WITH MINERAL WOOL
- 24 DOWNPIPE THERMAL INSULATION
- 25 DOWNPIPE

NOTICE:

TO HEAT THE DRAIN, YOU MAY USE HEATING KIT HL82 WITH SELF-REGULATING HEAT SOURCE 18W/220V. (THE HEATING TAPE MUST BE WRAPPED AROUND THE DRAIN BODY BEFORE INSTALLATION).

RECOMMENDED BOREHOLE DIAMETER IS ϕ 150mm.

DURING INSTALLATION TAKE CARE, THAT THE FLANGE POSITION IS ON THE LOWEST LEVEL OF DRAINAGE. WE RECOMMEND, TO SITE IT APPR. 1cm BELOW THE SCREED.

TO AVOID CONDENSATE WATER TAKE CARE OF THERMAL INSULATION ON THE CONSTRUCTION SITE.

142311BX