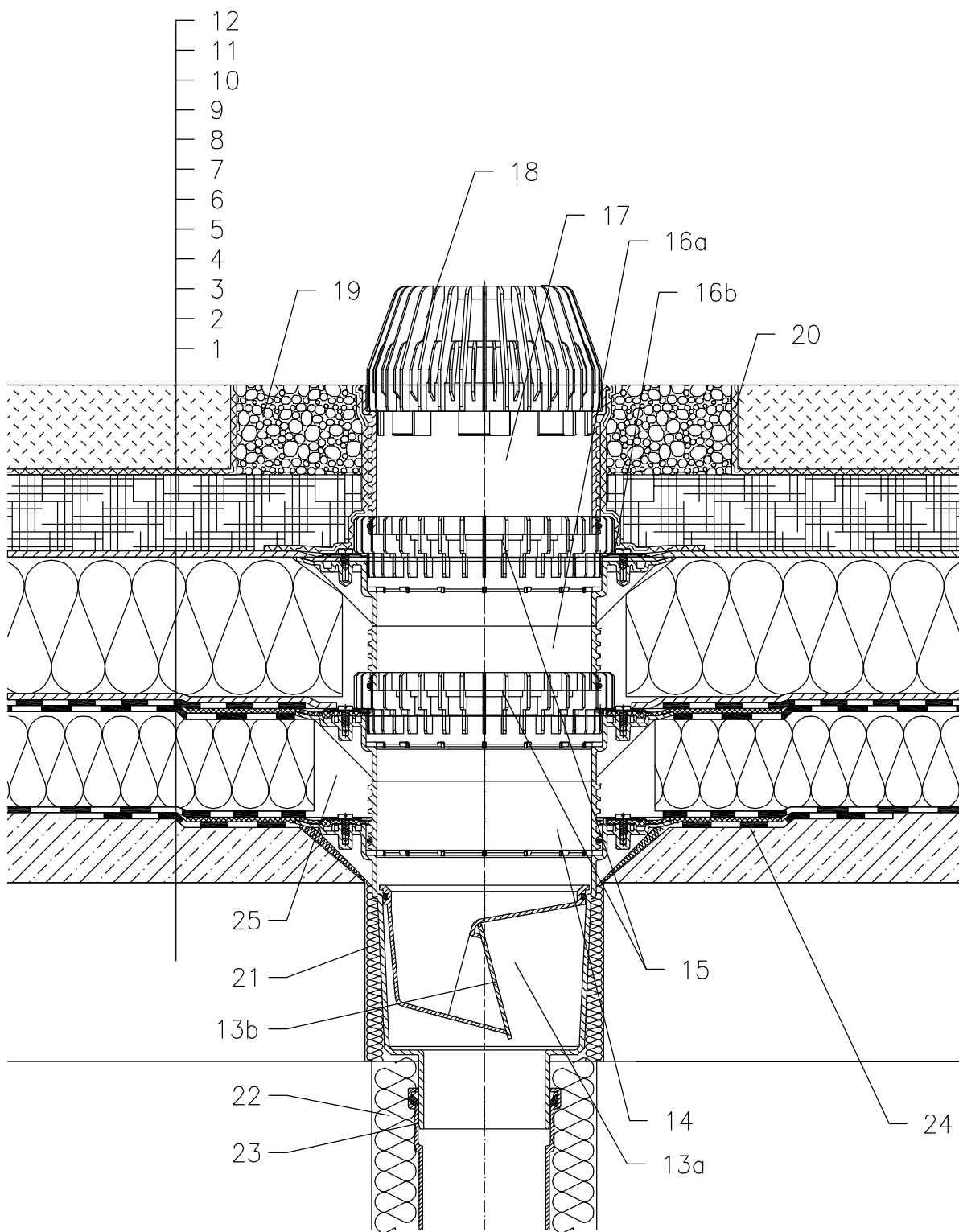


ROOF WITH THERMAL INSULATION – EXTENSIVE GRASSING, COMBINED ORDER OF LAYERS
BITUMEN SHEETS



- 1 SUPPORT CONSTRUCTION
- 2 CONCRETE GRAVITY LAYER
- 3 MOISTURE STOP AND TEMPORARY SAFETY WATERPROOFING FROM BITUMEN SHEET
- 4 THERMAL INSULATION
- 5 BITUMEN SHEET WATERPROOFING NON SOLID GLUED OR LAID LOOSE
- 6 BITUMEN SHEET WATERPROOFING
- 7 DRAINAGE LAYER
- 8 XPS THERMAL INSULATION
- 9 DRAINAGE LAYER
- 10 WATER ACCUMULATING LAYER
- 11 FILTER LAYER
- 12 VEGETATION LAYER (UNDER 200mm)
- 13a DRAIN BODY HL616HK WITH BITUMEN MEMBRANE ϕ 500 mm
- 13b FROST-PROOF FLAP HL0606.3E (NOT INCLUDED IN HL616HK)
- 14 EXTENSION HL618H WITH BITUMEN MEMBRANE ϕ 500 mm; INCL. O-RING (HL620)
- 15 DRAINAGE RING HL190
- 16a EXTENSION HL618 WITH FLANGE INCL. O-RING (HL620)
- 16b SEALING KIT HL86.0
- 17 EXTENSION HL620
- 18 LEAF STRAINER HL 195
- 19 GRANULAR FILL
- 20 SEPARATING LAYER
- 21 ASSEMBLY FOAM
- 22 DOWNPIPE THERMAL INSULATION
- 23 DOWNPIPE
- 24 BITUMEN MEMBRANE ϕ 750 mm
- 25 FILL FREE SPACE WITH MINERAL WOOL

NOTICE:

TO HEAT THE DRAIN, YOU MAY USE HEATING KIT HL609 WITH SELF-REGULATING HEAT SOURCE 36W/230V. (THE HEATING TAPE MUST BE WRAPPED AROUND THE DRAIN BODY BEFORE INSTALLATION).
RECOMMENDED BOREHOLE DIAMETER IS ϕ 220mm, WITH HEATING KIT MIN. ϕ 240mm
DURING INSTALLATION TAKE CARE, THAT THE FLANGE POSITION IS ON THE LOWEST LEVEL OF DRAINAGE. WE RECOMMEND, TO SITE IT APPR. 1cm BELOW THE SCREED.
TO AVOID CONDENSATE WATER TAKE CARE OF THERMAL INSULATION ON THE CONSTRUCTION SITE.

142311AY