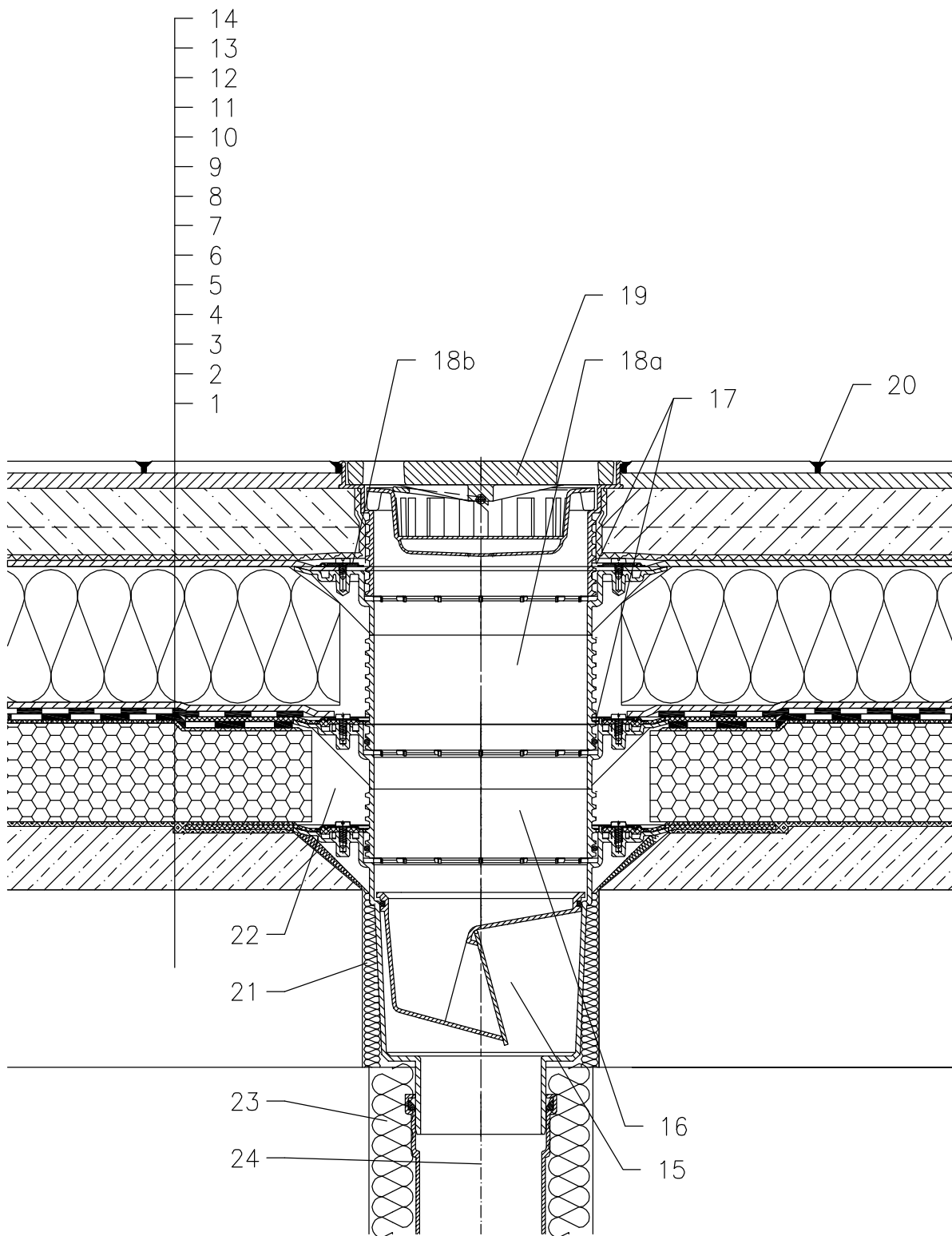


ROOF WITH THERMAL INSULATION – COMBINED ORDER OF LAYERS, COMPACT ROOF VARIANT, PAVEMENT IN CONCRETE BITUMEN SHEETS



- 1 SUPPORT CONSTRUCTION
- 2 CONCRETE GRAVITY LAYER
- 3 HOT BITUMEN
- 4 THERMAL INSULATION – FOAMED GLASS
- 5 HOT BITUMEN
- 6 BITUMEN SHEET WATERPROOFING
- 7 BITUMEN SHEET WATERPROOFING
- 8 DRAINAGE LAYER
- 9 XPS THERMAL INSULATION
- 10 DRAINAGE LAYER
- 11 FILTER LAYER
- 12 CONCRETE SLAB
- 13 MORTAR BED OR GLUE
- 14 PAVEMENT
- 15 TERRACE DRAIN HL616H WITH FROST-PROOF FLAP AND BITUMEN MEMBRANE LOAD CLASSIFICATION L15 (MAX 1500 kg)
- 16 EXTENSION HL618H WITH BITUMEN MEMBRANE \varnothing 500 mm; INCL. O-RING (HL620)
- 17 NO TIGHT CONNECTION BECAUSE OF DISCHARGE OF LEAKAGE WATER
- 18a EXTENSION HL618 WITH FLANGE INCL. O-RING (HL620)
- 18b SEALING KIT HL86.0
- 19 EXTENSION WITH CAST IRON GRATE 226x226 mm AND PLASTIC FRAME 240x240 mm (INCLUDED IN HL616H)
alternative HL616HS – WITH STAINLESS STEEL GRATE
alternative HL616HL – WITH PLASTIC GRATE
- 20 JOINT FILLER
- 21 ASSEMBLY FOAM
- 22 FILL FREE SPACE WITH MINERAL WOOL
- 23 DOWNPIPE THERMAL INSULATION
- 24 DOWNPIPE

NOTICE:

TO HEAT THE DRAIN, YOU MAY USE HEATING KIT HL609 WITH SELF-REGULATING HEAT SOURCE 36W/230V. (THE HEATING TAPE MUST BE WRAPPED AROUND THE DRAIN BODY BEFORE INSTALLATION).
RECOMMENDED BOREHOLE DIAMETER IS \varnothing 220mm, WITH HEATING KIT MIN. \varnothing 240mm
DURING INSTALLATION TAKE CARE, THAT THE FLANGE POSITION IS ON THE LOWEST LEVEL OF DRAINAGE. WE RECOMMEND, TO SITE IT APPR. 1cm BELOW THE SCREED.
TO AVOID CONDENSATE WATER TAKE CARE OF THERMAL INSULATION ON THE CONSTRUCTION SITE.

142111BY