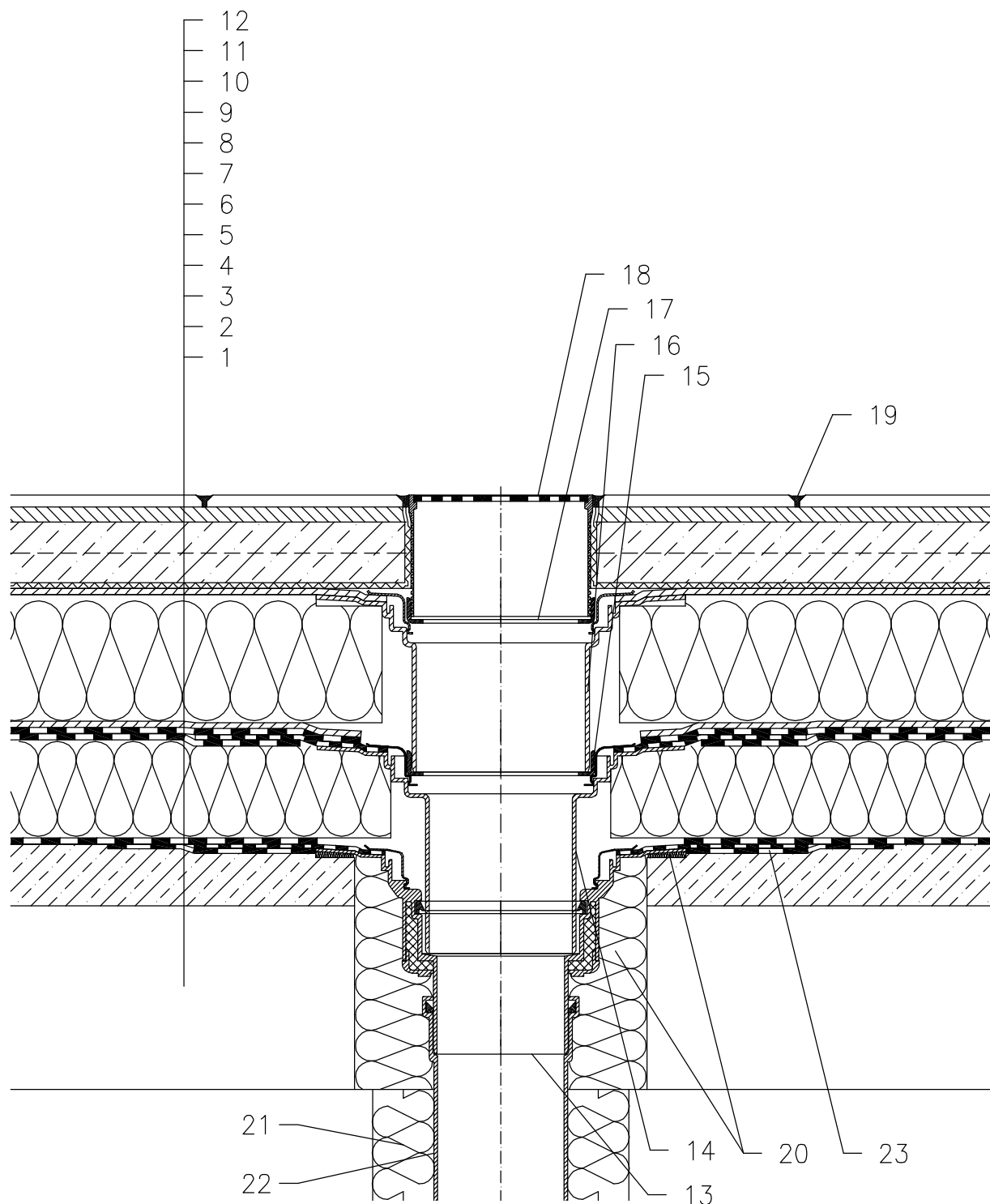


WARM ROOF – WALKABLE, COMBINED STRUCTURE, BITUMEN SHEET WATERPROOFING
PAVEMENT GLUED



- 1 SUPPORT CONSTRUCTION
- 2 GRAVITY LAYER
- 3 MOISTURE STOP AND TEMPORARY SAFETY WATERPROOFING FROM BITUMEN SHEET
- 4 THERMAL INSULATION
- 5 BITUMEN SHEET WATERPROOFING NON-SOLID GLUED OR LAID LOOSE
- 6 DRAINAGE LAYER
- 7 THERMAL INSULATION FROM XPS
- 8 DRAINAGE LAYER
- 9 FILTER LAYER
- 10 CONCRETE SLAB
- 11 MORTAR BED OR GLUE
- 12 PAVEMENT
- 13 FLAT-ROOF DRAIN HL62BH WITH INSULATED DRAIN BODY, WITH FACTORY WELDED BITUMEN MEMBRANE ϕ 500 mm, THICKNESS 4 mm
- 14 EXTENSION HL65H WITH FLANGE AND FACTORY WELDED BITUMEN MEMBRANE ϕ 500 mm, THICKNESS 4 mm
- 15 ADAPTER 062B.3E (INCL. WITH HL62BH)
- 16 EXTENSION HL350.1 WITH FLANGE AND WATERPROOFING KIT HL84.0
- 17 ADAPTER 062B.3E
- 18 GRATING HL66.9 WITH STAINLESS STEEL GRATE 150x150 mm CHARGEABLE TO 300 kg (INCL. WITH HL62BH)
- 19 JOINT FILLER
- 20 ASSEMBLY FOAM
- 21 DOWNPIPE THERMAL INSULATION
- 22 DOWNPIPE
- 23 BITUMEN MEMBRANE, ϕ 750 mm

NOTE:

FLAT-ROOF DRAIN HL62.1BH HEATED (230V, 10-30 WATTS) CAN BE USED.

ASSEMBLY INLET: ϕ 220 MM, ALTERNATIVELY 240X360 MM

142111A