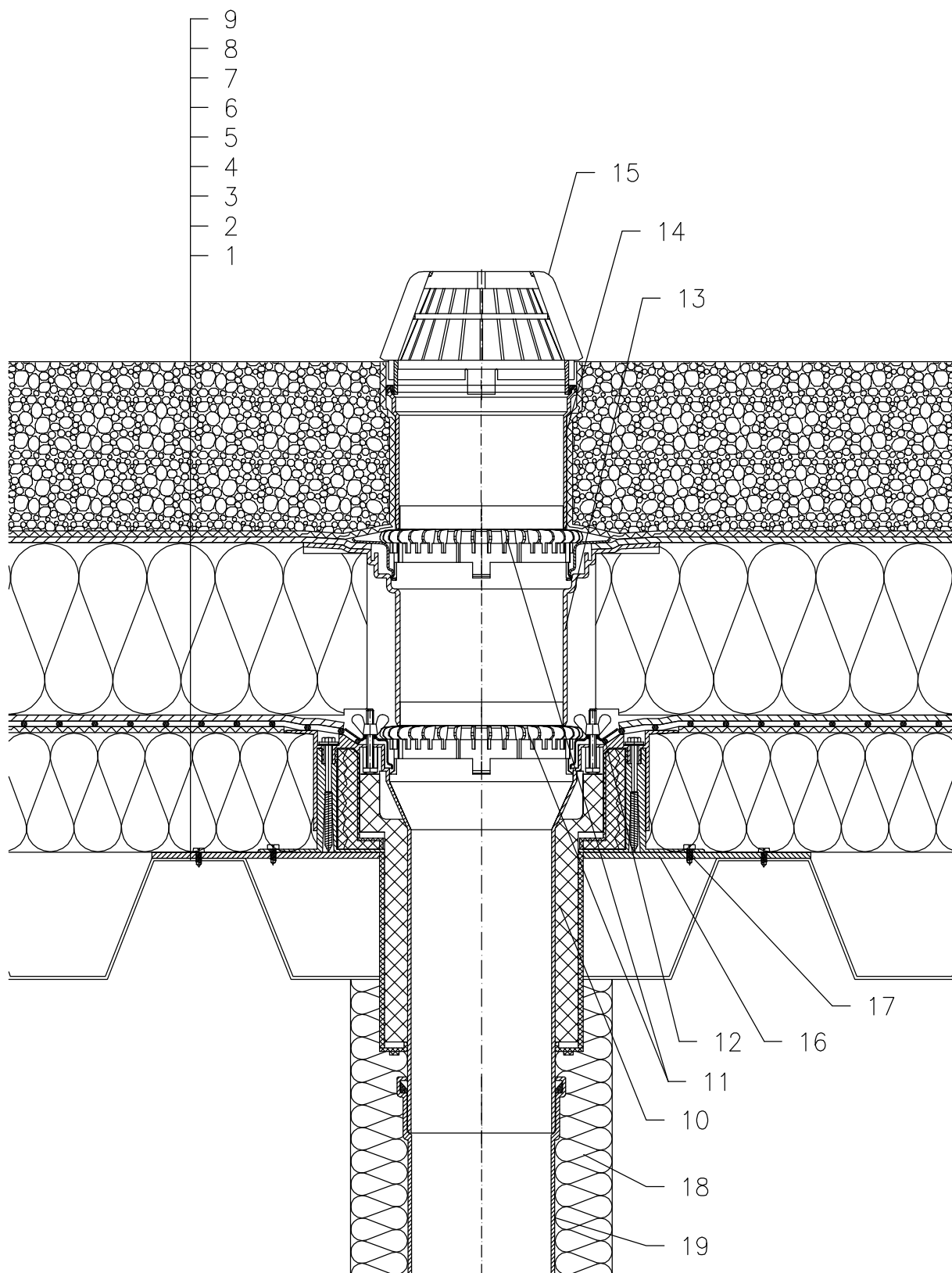


WARM ROOF – LOADED SYSTEM, COMBINED STRUCTURE, WITHOUT MOISTURE STOP,
 TRAPEZOIDAL PLATE SUPPORTING STRUCTURE, PLASTIC FOIL WATERPROOFING



- 1 TRAPEZOIDAL PLATE
- 2 THERMAL INSULATION
- 3 DILATATION LAYER
- 4 PLASTIC FOIL WATERPROOFING LAID LOOSE
- 5 DRAINAGE LAYER
- 6 THERMAL INSULATION FROM XPS
- 7 DRAINAGE LAYER
- 8 FILTER LAYER
- 9 STABILIZING LAYER
- 10 FLAT-ROOF DRAIN HL63 DRAINBOX, WITH INSULATED DRAIN BODY, TELESCOPED OUTER-HOUSING FOR PRECISE ADJUSTMENTS TO INSULATIONS 100–160 mm, FLANGE AND STAINLESS STEEL CLAMPING RING
- 11 GRAVEL GUARD HL160
- 12 SEALING PACKING (SEE DETAIL-ACCESSORIES)
- 13 EXTENSION HL350.1 WITH FLANGE AND WATERPROOFING KIT HL84.0
- 14 EXTENSION HL350
- 15 DOMED PLASTIC GRATE $\varnothing 180$ mm (INCL. WITH HL63)
- 16 MOUNTING METAL PLATE
- 17 ANCHOR BOLT
- 18 DOWNPIPE THERMAL INSULATION
- 19 DOWNPIPE

NOTE:

FLAT-ROOF DRAIN HL63.1 HEATED (230V, 10–30 WATTS) CAN BE USED.

ASSEMBLY INLET: $\varnothing 200$ MM

14122A