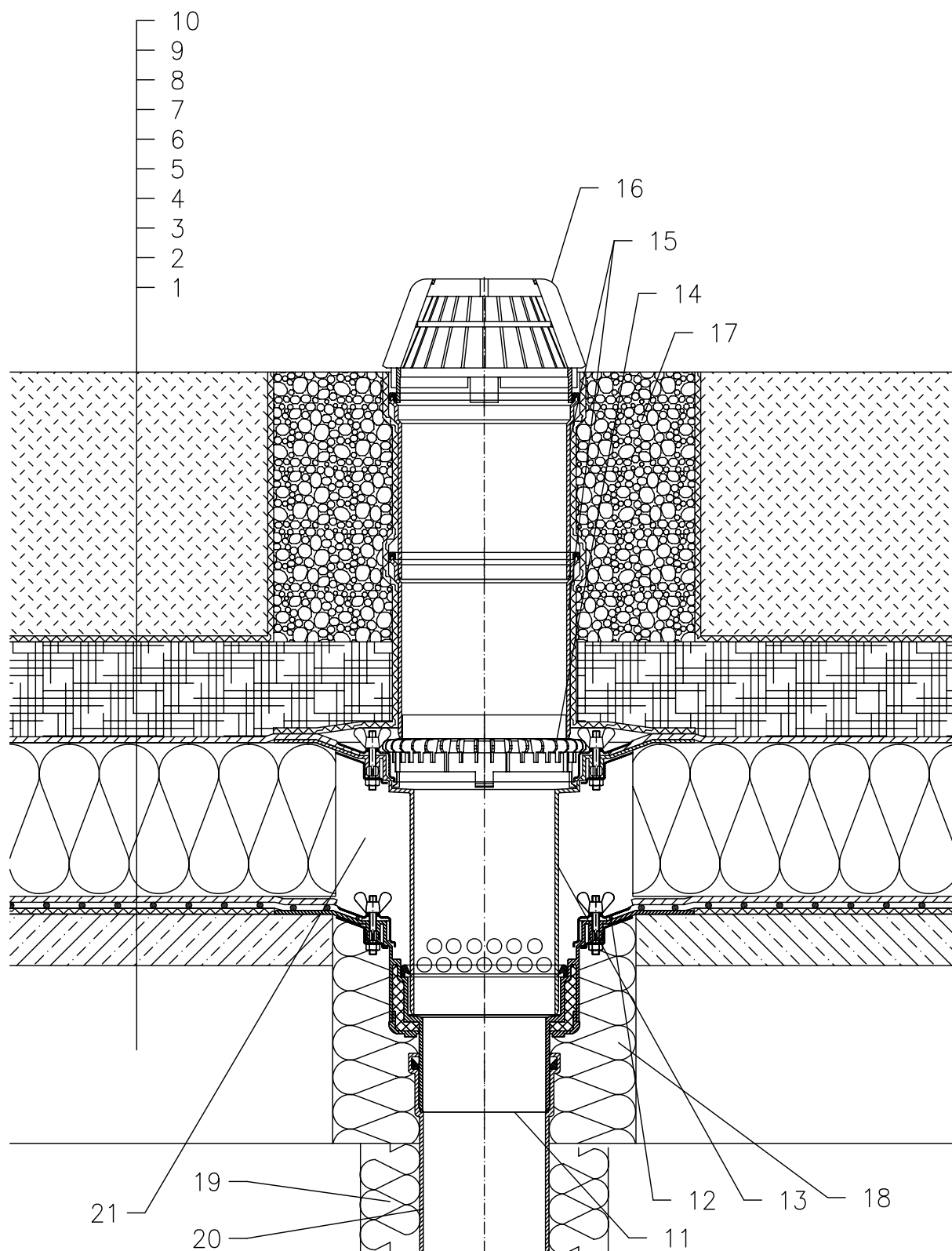


WARM ROOF – GREEN ROOF, REVERSE LAYER ORDER STRUCTURE, PLASTIC FOIL WATERPROOFING
INTENSIVE GRASSING



- 1 SUPPORT CONSTRUCTION
- 2 GRAVITY LAYER
- 3 DILATATION LAYER
- 4 PLASTIC FOIL WATERPROOFING LAID LOOSE
- 5 DILATATION AND DRAINAGE LAYER
- 6 THERMAL INSULATION FROM XPS
- 7 DRAINAGE LAYER
- 8 WATER ACCUMULATING LAYER
- 9 FILTER LAYER
- 10 VEGETATION LAYER (OVER 200 mm)
- 11 FLAT-ROOF DRAIN HL62 WITH INSULATED DRAIN BODY, FLANGE AND STAINLESS STEEL CLAMPING RING
- 12 SEALING PACKING (SEE DETAIL-ACCESSORIES)
- 13 EXTENSION HL65 WITH FLANGE, STAINLESS STEEL CLAMPING RING
- 14 GRAVEL GUARD HL160
- 15 EXTENSION HL350
- 16 DOMED PLASTIC GRATE $\varnothing 180$ mm (INCL. WITH HL62)
- 17 GRANULAR FILL
- 18 ASSEMBLY FOAM
- 19 DOWNPIPE THERMAL INSULATION
- 20 DOWNPIPE
- 21 FILL FREE SPACE WITH MINERAL WOOL

NOTE:

FLAT-ROOF DRAIN HL62.1 HEATED (230V, 10-30 WATTS) CAN BE USED.

ASSEMBLY INLET: $\varnothing 220$ MM, ALTERNATIVELY 240X360 MM