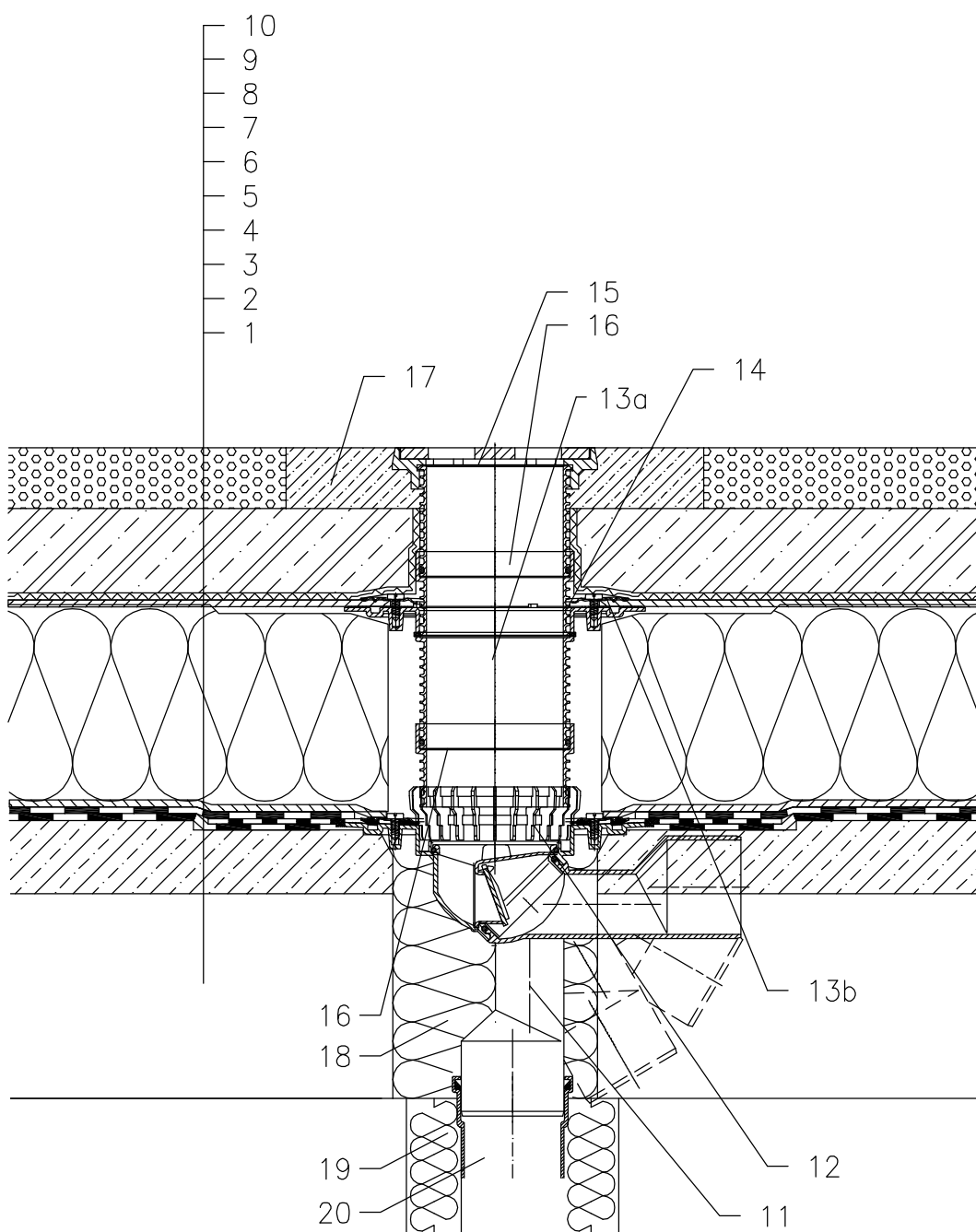


# ROOF WITH THERMAL INSULATION – CAR PARK, REVERSE ORDER OF LAYERS, BITUMEN SHEETS



- 1 SUPPORT CONSTRUCTION
- 2 CONCRETE GRAVITY LAYER
- 3 BITUMEN SHEET WATERPROOFING  
NON SOLID GLUED OR LAID LOOSE
- 4 BITUMEN SHEET WATERPROOFING
- 5 DRAINAGE LAYER
- 6 XPS THERMAL INSULATION
- 7 DRAINAGE LAYER
- 8 FILTER LAYER
- 9 REINFORCED CONCRETE
- 10 CAST ASPHALT
- 11 TERRACE DRAIN HL81GH WITH FROST-PROOF FLAP  
  
WITH BITUMEN MEMBRANE  $\varnothing 400$  mm,  
LOAD CLASSIFICATION L15 (MAX 1500 kg)
- 12 DRAINAGE RING HL180
- 13a EXTENSION HL85N WITH FLANGE  
INCL. O-RING
- 13b SEALING KIT HL83.0
- 14 NO TIGHT CONNECTION BECAUSE OF DISCHARGE OF LEAKAGE WATER
- 15 EXTENSION WITH CAST IRON GRATE 137x137 mm  
AND CAST IRON FRAME 150x150 mm  
(INCLUDED IN HL81GH)
- 16 EXTENSION HL340N
- 17 CONCRETE 1000x1000x100 mm
- 18 ASSEMBLY FOAM
- 19 DOWNPIPE THERMAL INSULATION
- 20 DOWNPIPE

## NOTICE:

TO HEAT THE DRAIN, YOU MAY USE HEATING KIT HL82 WITH SELF-REGULATING HEAT SOURCE 18W/220V. (THE HEATING TAPE MUST BE WRAPPED AROUND THE DRAIN BODY BEFORE INSTALLATION).

RECOMMENDED BOREHOLE DIAMETER IS  $\varnothing 150$ mm.

DURING INSTALLATION TAKE CARE, THAT THE FLANGE POSITION IS ON THE LOWEST LEVEL OF DRAINAGE. WE RECOMMEND, TO SITE IT APPR. 1cm BELOW THE SCREED.

TO AVOID CONDENSATE WATER TAKE CARE OF THERMAL INSULATION ON THE CONSTRUCTION SITE.

13221AX