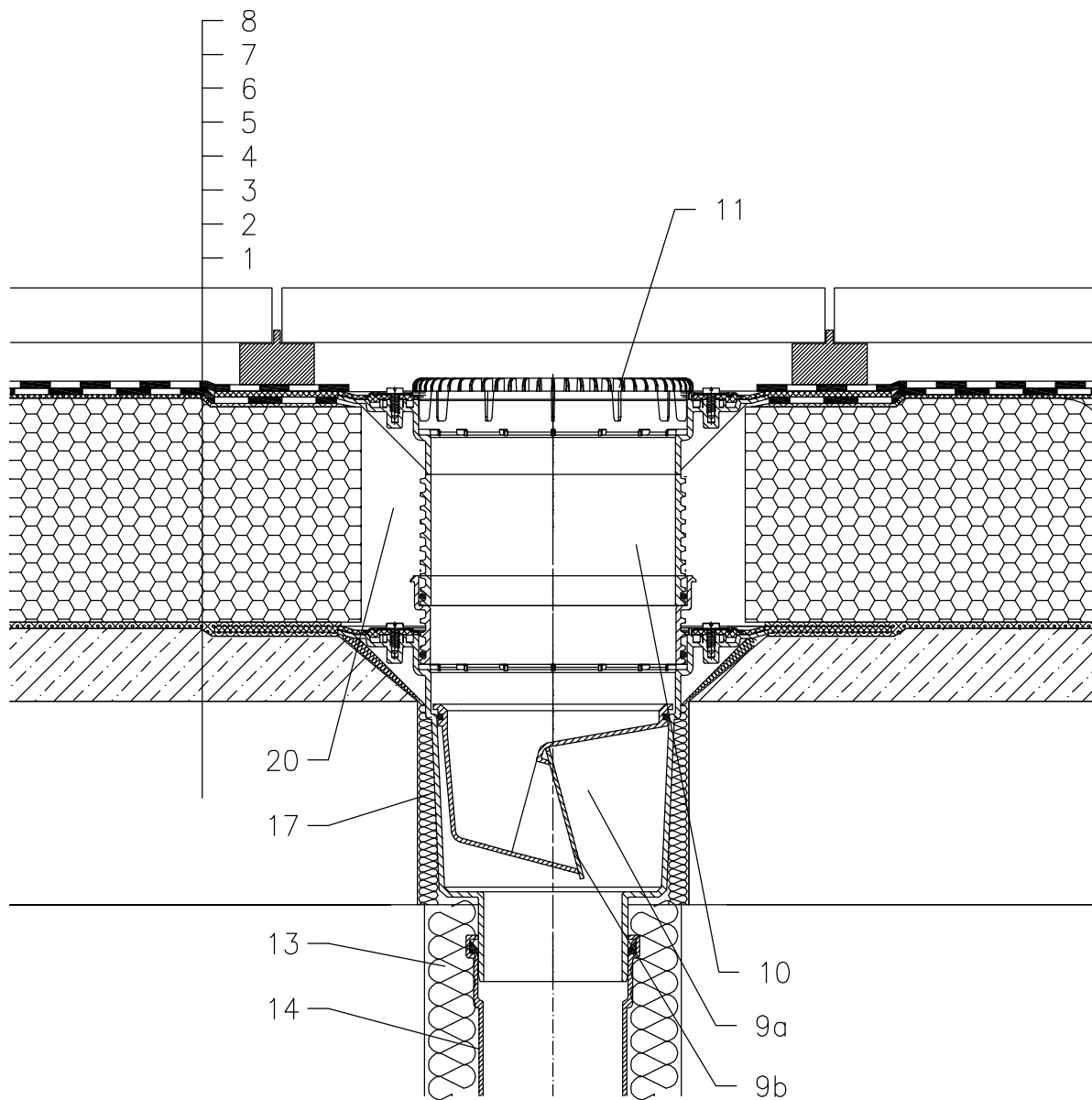


ROOF WITH THERMAL INSULATION – COMPACT ROOF BITUMEN SHEETS
TERRACE, PAVEMENT ON STANDS



- 1 SUPPORT CONSTRUCTION
- 2 CONCRETE GRAVITY LAYER
- 3 HOT BITUMEN
- 4 THERMAL INSULATION – FOAMED GLASS
- 5 HOT BITUMEN
- 6 BITUMEN SHEET WATERPROOFING
- 7 BITUMEN SHEET WATERPROOFING
- 8 PAVEMENT ON STANDS
- 9a DRAIN BODY HL616HK
WITH BITUMEN MEMBRANE \varnothing 500 mm,
- 9b FROST-PROOF FLAP HL0606.3E
- 10 EXTENSION HL618H WITH BITUMEN MEMBRANE
 \varnothing 500 mm, TL. 4 mm; INCL. O-RING (HL620)
- 11 FLAT LEAF STRAINER HL191
alternative LEAF STRAINER HL195
- 12 ASSEMBLY FOAM
- 13 DOWNPIPE THERMAL INSULATION
- 14 DOWNPIPE
- 15 FILL FREE SPACE WITH MINERAL WOOL

NOTICE:

TO HEAT THE DRAIN, YOU MAY USE HEATING KIT HL609 WITH SELF-REGULATING HEAT SOURCE 36W/230V. (THE HEATING TAPE MUST BE WRAPPED AROUND THE DRAIN BODY BEFORE INSTALLATION).
RECOMMENDED BOREHOLE DIAMETER IS \varnothing 220mm, WITH HEATING KIT MIN. \varnothing 240mm
DURING INSTALLATION TAKE CARE, THAT THE FLANGE POSITION IS ON THE LOWEST LEVEL OF DRAINAGE. WE RECOMMEND, TO SITE IT APPR. 1cm BELOW THE SCREED.
TO AVOID CONDENSATE WATER TAKE CARE OF THERMAL INSULATION ON THE CONSTRUCTION SITE.

122131BY