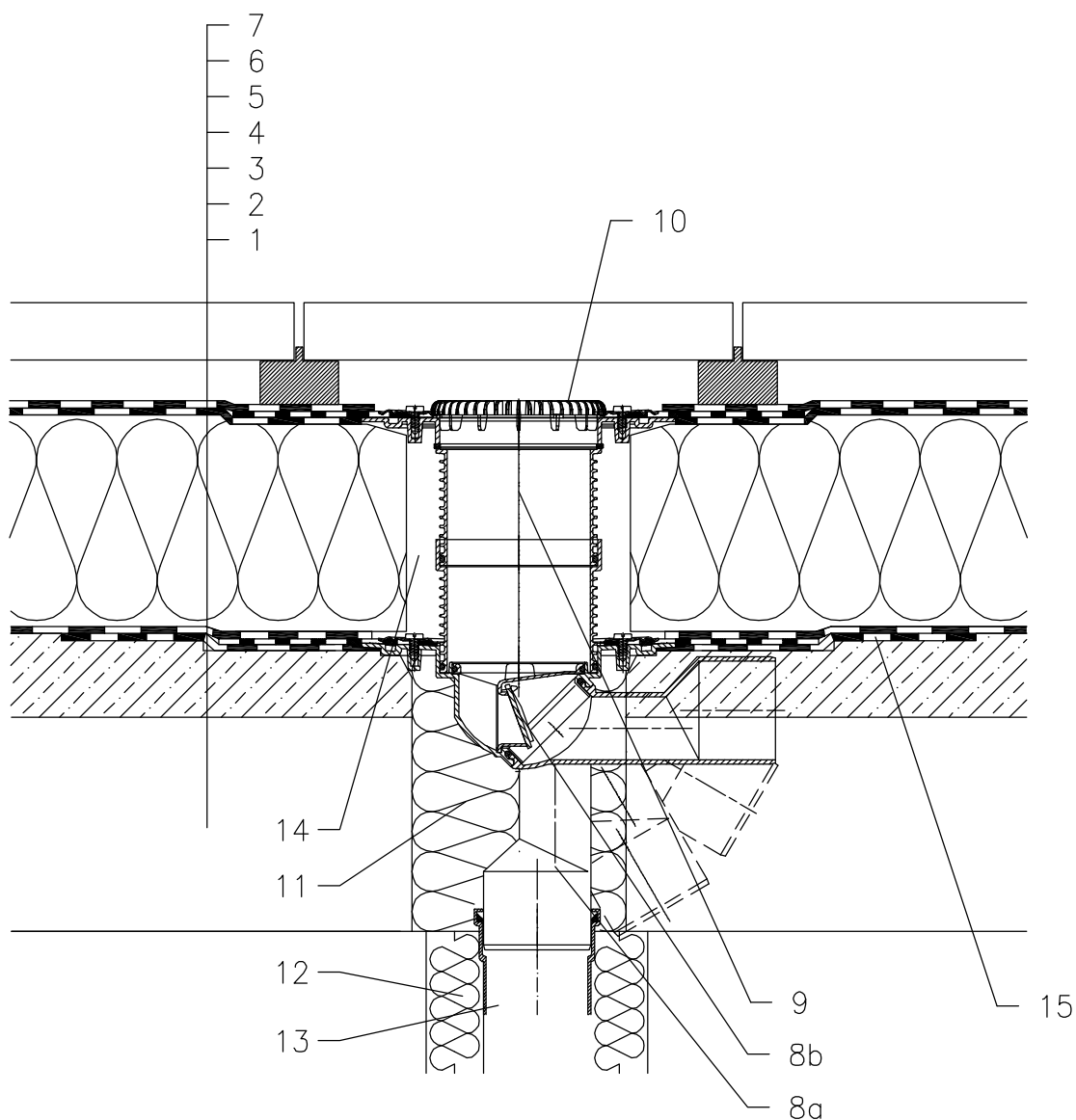


ROOF WITH THERMAL INSULATION – CLASSICAL LAYERS, BITUMEN SHEETS  
TERRACE, PAVEMENT ON STANDS



- 1 SUPPORT CONSTRUCTION
- 2 CONCRETE GRAVITY LAYER
- 3 MOISTURE STOP AND TEMPORARY SAFETY WATERPROOFING FROM BITUMEN SHEET
- 4 THERMAL INSULATION
- 5 BITUMEN SHEET WATERPROOFING NON SOLID GLUED OR LAID LOOSE
- 6 BITUMEN SHEET WATERPROOFING
- 7 PAVEMENT ON STANDS
- 8a DRAIN BODY HL80HK WITH BITUMEN MEMBRANE  $\phi$ 400 mm,
- 8b FROST-PROOF FLAP HL080.4E
- 9 EXTENSION HL85NH WITH BITUMEN MEMBRANE  $\phi$ 400 mm; INCL. O-RING, (HL340N)
- 10 FLAT LEAF STRAINER HL181 alternative LEAF STRAINER HL080.8E
- 11 ASSEMBLY FOAM
- 12 DOWNPIPE THERMAL INSULATION
- 13 DOWNPIPE
- 14 FILL FREE SPACE WITH MINERAL WOOL
- 15 BITUMEN MEMBRANE  $\phi$ 750 mm

NOTICE:

TO HEAT THE DRAIN, YOU MAY USE HEATING KIT HL82 WITH SELF-REGULATING HEAT SOURCE 18W/220V. (THE HEATING TAPE MUST BE WRAPPED AROUND THE DRAIN BODY BEFORE INSTALLATION).  
RECOMMENDED BOREHOLE DIAMETER IS  $\phi$ 150mm.  
DURING INSTALLATION TAKE CARE, THAT THE FLANGE POSITION IS ON THE LOWEST LEVEL OF DRAINAGE. WE RECOMMEND, TO SITE IT APPR. 1cm BELOW THE SCREED.  
TO AVOID CONDENSATE WATER TAKE CARE OF THERMAL INSULATION ON THE CONSTRUCTION SITE.

122131AX