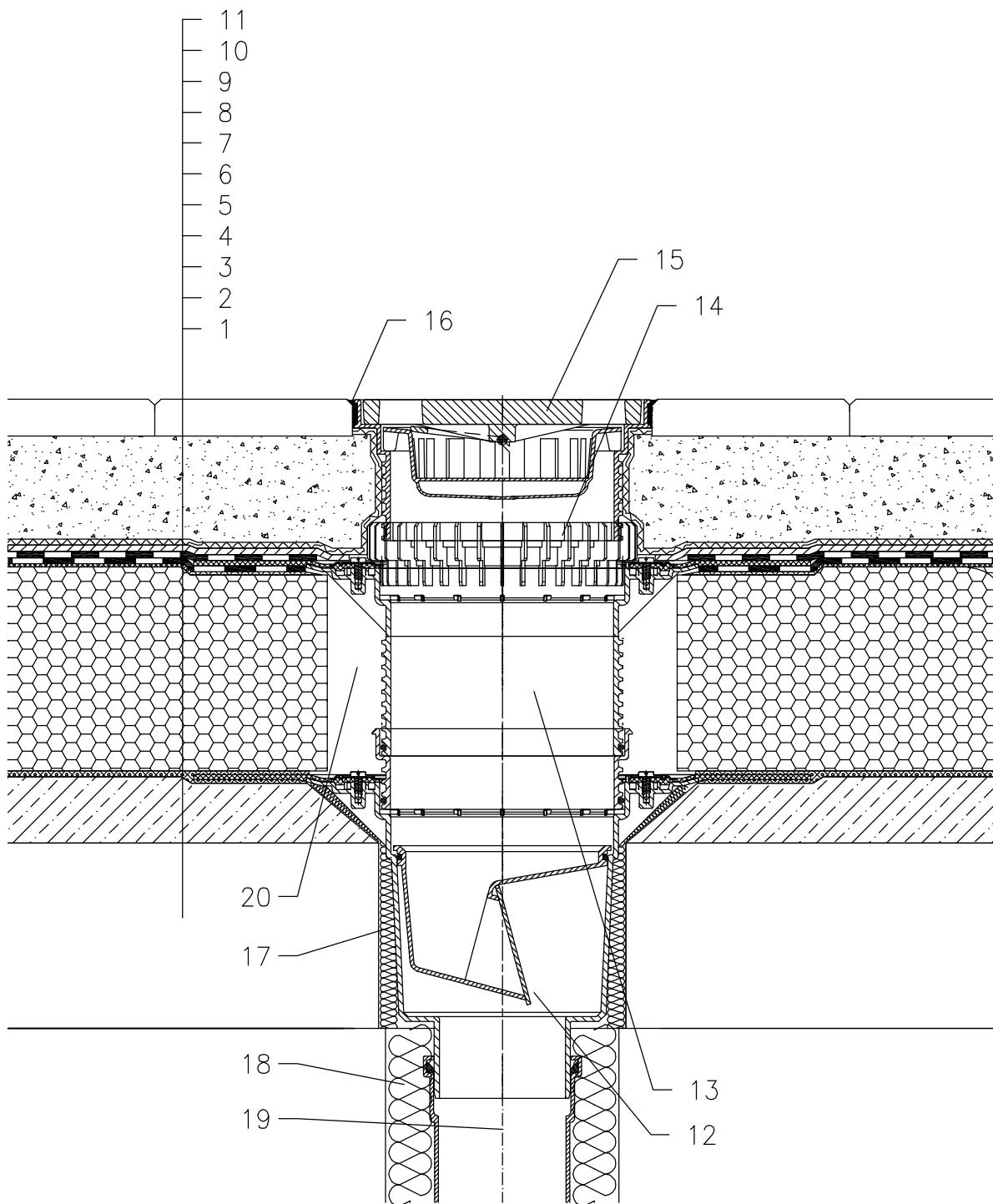


ROOF WITH THERMAL INSULATION – COMPACT ROOF BITUMEN SHEETS  
TERRACE, PAVEMENT IN SUBBASE



- 1 SUPPORT CONSTRUCTION
- 2 CONCRETE GRAVITY LAYER
- 3 HOT BITUMEN
- 4 THERMAL INSULATION – FOAMED GLASS
- 5 HOT BITUMEN
- 6 BITUMEN SHEET WATERPROOFING
- 7 BITUMEN SHEET WATERPROOFING
- 8 DRAINAGE LAYER
- 9 FILTER LAYER
- 10 SAND SUBBASE
- 11 PAVEMENT
- 12 TERRACE DRAIN HL616H WITH FROST-PROOF FLAP AND BITUMEN MEMBRANE LOAD CLASSIFICATION L15 (MAX 1500 kg)
- 13 EXTENSION HL618H WITH BITUMEN MEMBRANE  $\varnothing$ 500 mm; INCL. O-RING (HL620)
- 14 DRAINAGE RING HL190
- 15 EXTENSION WITH CAST IRON GRATE 226x226 mm AND PLASTIC FRAME 240x240 mm (INCLUDED IN HL616H)  
alternative HL616HS – WITH STAINLESS STEEL GRATE  
alternative HL616HL – WITH PLASTIC GRATE
- 16 NON-HARDENING MASTIC
- 17 ASSEMBLY FOAM
- 18 DOWNPIPE THERMAL INSULATION
- 19 DOWNPIPE
- 20 FILL FREE SPACE WITH MINERAL WOOL

NOTICE:

TO HEAT THE DRAIN, YOU MAY USE HEATING KIT HL609 WITH SELF-REGULATING HEAT SOURCE 36W/230V. (THE HEATING TAPE MUST BE WRAPPED AROUND THE DRAIN BODY BEFORE INSTALLATION).  
RECOMMENDED BOREHOLE DIAMETER IS  $\varnothing$ 220mm, WITH HEATING KIT MIN.  $\varnothing$ 240mm  
DURING INSTALLATION TAKE CARE, THAT THE FLANGE POSITION IS ON THE LOWEST LEVEL OF DRAINAGE. WE RECOMMEND, TO SITE IT APPR. 1cm BELOW THE SCREED.  
TO AVOID CONDENSATE WATER TAKE CARE OF THERMAL INSULATION ON THE CONSTRUCTION SITE.

122121BY