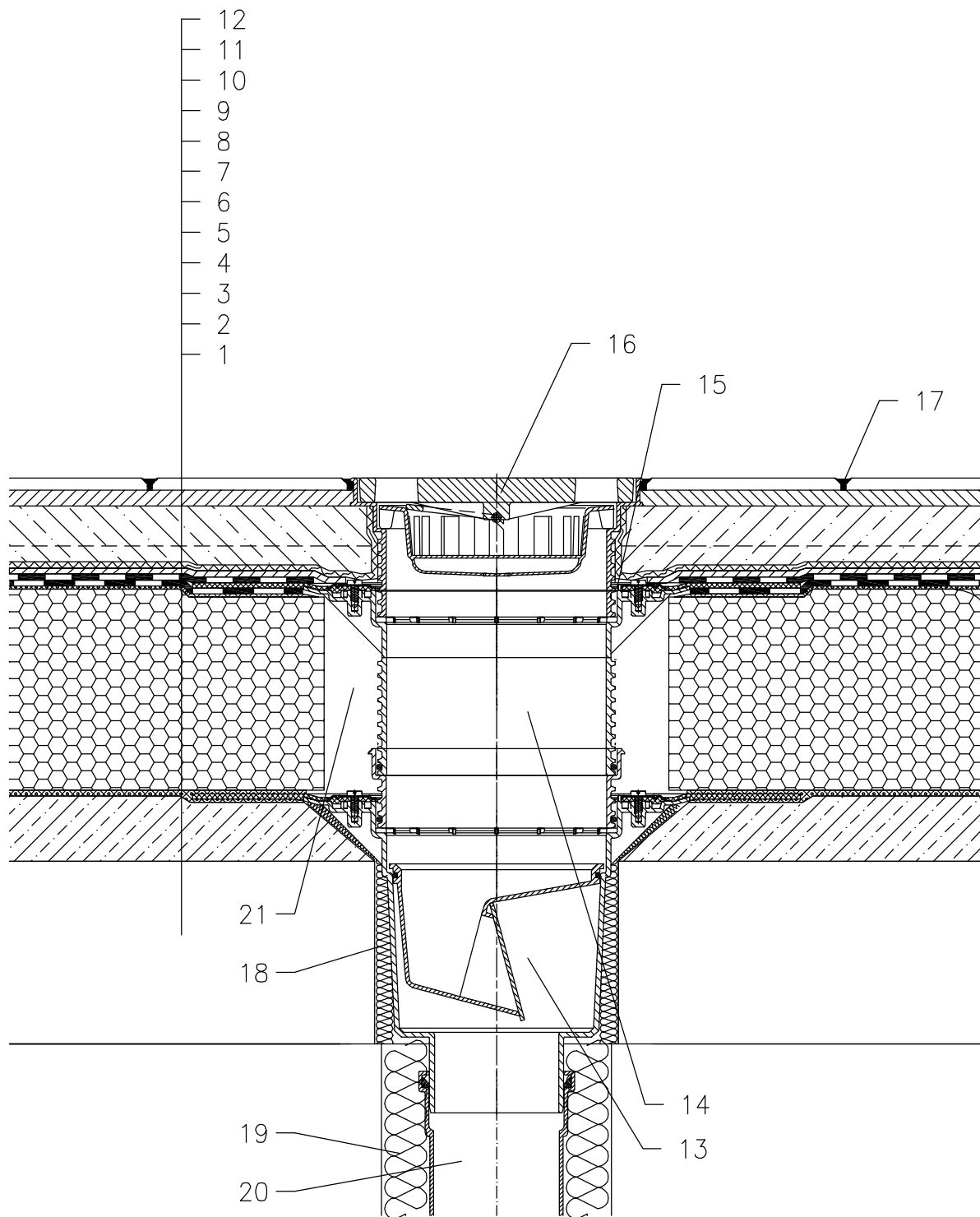


ROOF WITH THERMAL INSULATION – COMPACT ROOF BITUMEN SHEETS
TERRACE, PAVEMENT IN CONCRETE



- 1 SUPPORT CONSTRUCTION
- 2 CONCRETE GRAVITY LAYER
- 3 HOT BITUMEN
- 4 THERMAL INSULATION – FOAMED GLASS
- 5 HOT BITUMEN
- 6 BITUMEN SHEET WATERPROOFING
- 7 BITUMEN SHEET WATERPROOFING
- 8 DRAINAGE LAYER
- 9 FILTER LAYER
- 10 CONCRETE SLAB
- 11 MORTAR BED OR GLUE
- 12 PAVEMENT
- 13 TERRACE DRAIN HL616H WITH FROST-PROOF FLAP AND BITUMEN MEMBRANE
LOAD CLASSIFICATION L15 (MAX 1500 kg)
- 14 EXTENSION HL618H WITH BITUMEN MEMBRANE
Ø500 mm; INCL. O-RING (HL620)
- 15 NO TIGHT CONNECTION BECAUSE OF DISCHARGE OF LEAKAGE WATER
- 16 EXTENSION WITH CAST IRON GRATE 226x226 mm
AND PLASTIC FRAME 240x240 mm
(INCLUDED IN HL616H)
alternative HL616HS – WITH STAINLESS STEEL GRATE
alternative HL616HL – WITH PLASTIC GRATE
- 17 JOINT FILLER
- 18 ASSEMBLY FOAM
- 19 DOWNPIPE THERMAL INSULATION
- 20 DOWNPIPE
- 21 FILL FREE SPACE WITH MINERAL WOOL

NOTICE:

TO HEAT THE DRAIN, YOU MAY USE HEATING KIT HL609 WITH SELF-REGULATING HEAT SOURCE 36W/230V. (THE HEATING TAPE MUST BE WRAPPED AROUND THE DRAIN BODY BEFORE INSTALLATION).
RECOMMENDED BOREHOLE DIAMETER IS Ø220mm, WITH HEATING KIT MIN. Ø240mm
DURING INSTALLATION TAKE CARE, THAT THE FLANGE POSITION IS ON THE LOWEST LEVEL OF DRAINAGE. WE RECOMMEND, TO SITE IT APPR. 1cm BELOW THE SCREED.
TO AVOID CONDENSATE WATER TAKE CARE OF THERMAL INSULATION ON THE CONSTRUCTION SITE.

122111BY