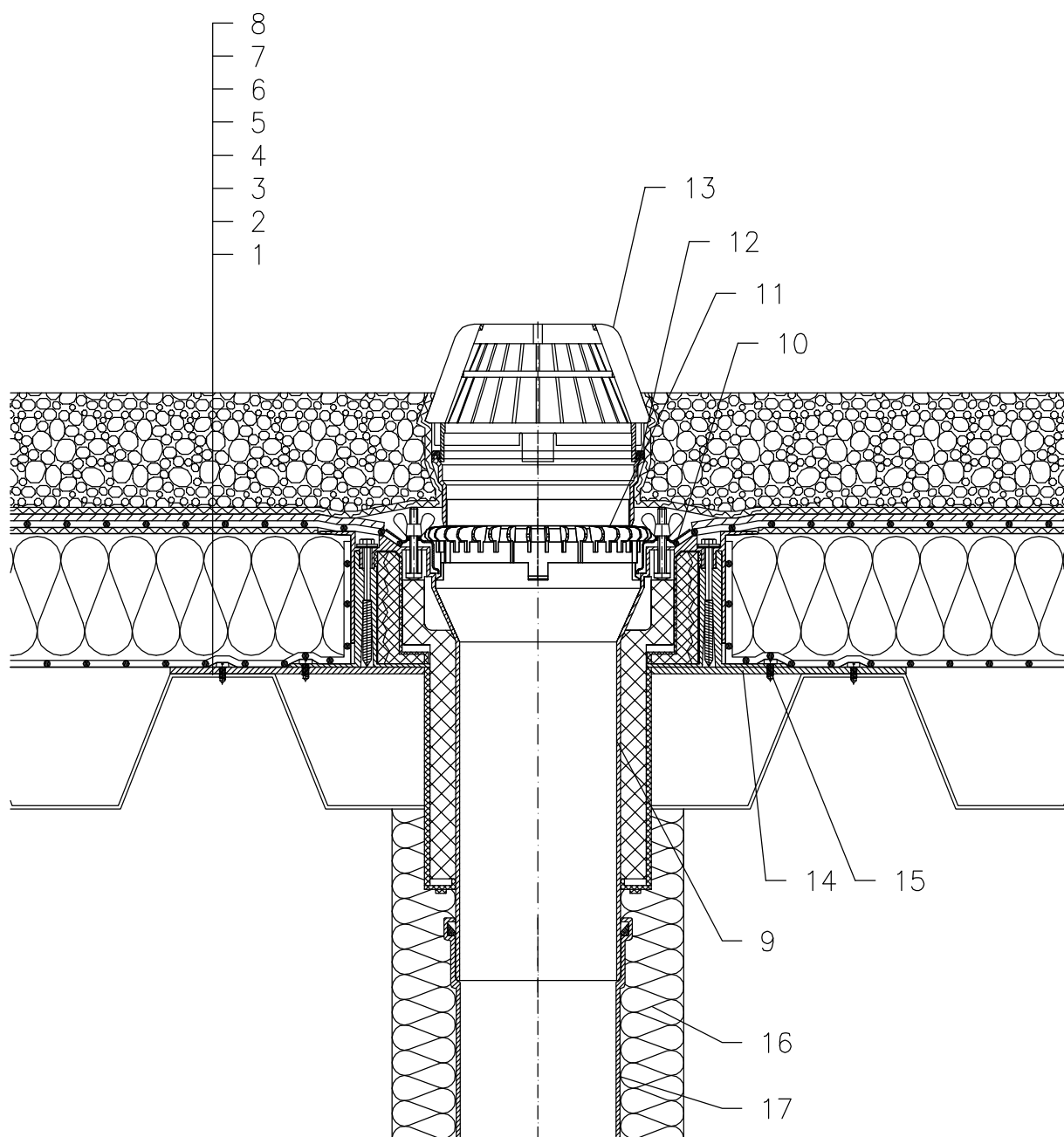


WARM ROOF – LOADED SYSTEM, CLASSICAL STRUCTURE, WITH MOISTURE STOP,
 TRAPEZOIDAL PLATE SUPPORTING STRUCTURE, PLASTIC FOIL WATERPROOFING



- 1 TRAPEZOIDAL PLATE
- 2 MOISTURE STOP (GLUED INTO DRAIN OUTER-HOUSING)
- 3 THERMAL INSULATION
- 4 DILATATION LAYER
- 5 PLASTIC FOIL WATERPROOFING LAID LOOSE
- 6 DRAINAGE LAYER
- 7 FILTER LAYER
- 8 STABILIZING LAYER
- 9 FLAT-ROOF DRAIN HL63 DRAINBOX, WITH INSULATED DRAIN BODY, TELESCOPED OUTER-HOUSING FOR PRECISE ADJUSTMENTS TO INSULATIONS 100-160 mm, FLANGE AND STAINLESS STEEL CLAMPING RING
- 10 SEALING PACKING (SEE DETAIL-ACCESSORIES)
- 11 GRAVEL GUARD HL160
- 12 EXTENSION HL350
- 13 DOMED PLASTIC GRATE $\varnothing 180$ mm (INCL. WITH HL63)
- 14 MOUNTING METAL PLATE
- 15 ANCHOR BOLT
- 16 DOWNPIPE THERMAL INSULATION
- 17 DOWNPIPE

NOTE:
 FLAT-ROOF DRAIN HL63.1 HEATED (230V, 10-30 WATTS) CAN BE USED.
 ASSEMBLY INLET: $\varnothing 200$ MM

121223C