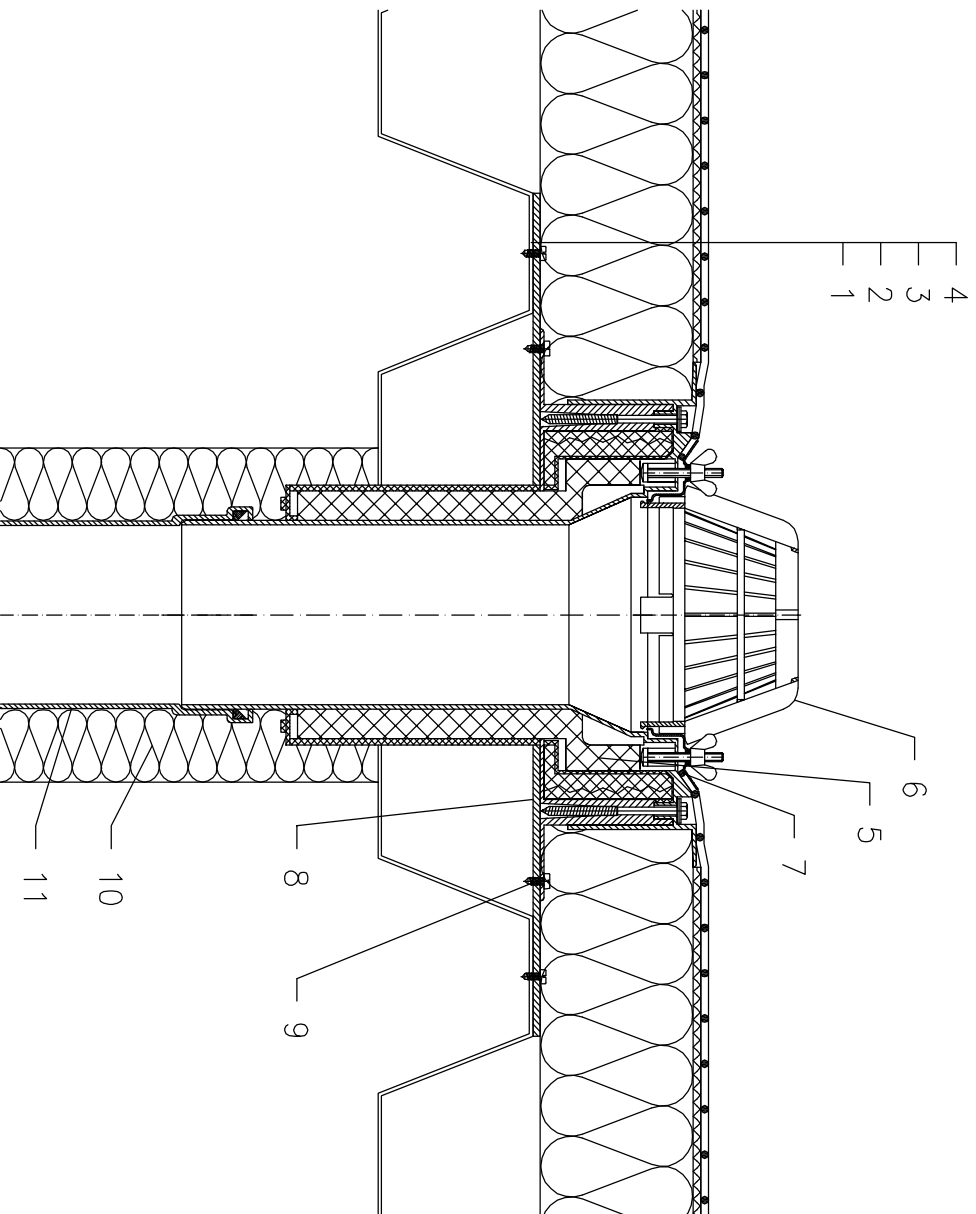


WARM ROOF – ANCHORED SYSTEM, CLASSICAL STRUCTURE, WITHOUT MOISTURE STOP,
 TRAPEZOIDAL PLATE SUPPORTING STRUCTURE, PLASTIC FOIL WATERPROOFING



- 1 TRAPEZOIDAL PLATE
- 2 THERMAL INSULATION
- 3 DILATATION LAYER
- 4 PLASTIC FOIL WATERPROOFING LAID LOOSE AND MECHANICALLY ANCHORED
- 5 FLAT-ROOF DRAIN HL63 DRAINBOX, WITH INSULATED DRAIN BODY, TELESCOPED OUTER-HOUSING FOR PRECISE ADJUSTMENTS TO INSULATIONS 100-160 mm, FLANGE AND STAINLESS STEEL CLAMPING RING
- 6 DOMED PLASTIC GRATE ϕ 180 mm (INCL. WITH HL63)
- 7 SEALING PACKING (SEE DETAIL-ACCESSORIES)
- 8 MOUNTING METAL PLATE
- 9 ANCHOR BOLT
- 10 DOWNPIPE THERMAL INSULATION
- 11 DOWNPIPE

NOTE:

FLAT-ROOF DRAIN HL63.1 HEATED (230V, 10-30 WATTS) CAN BE USED.

ASSEMBLY INLET: ϕ 200 MM