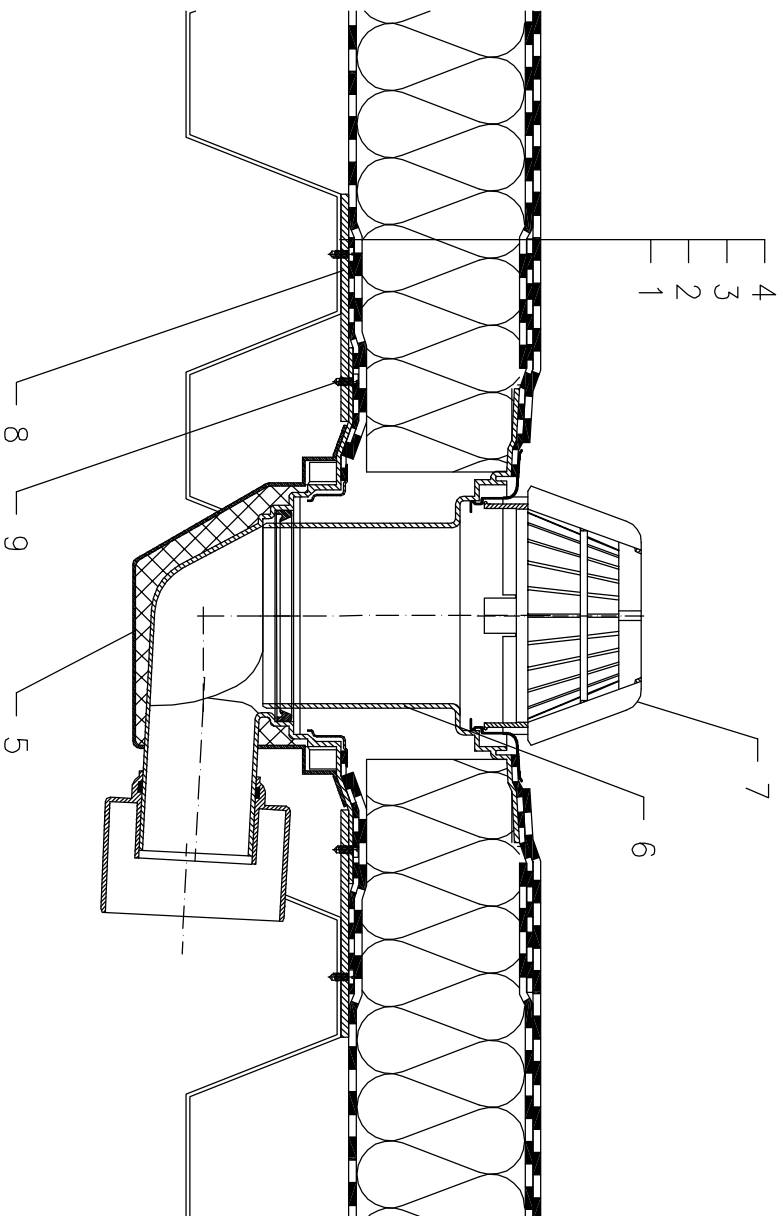


WARM ROOF – ANCHORED SYSTEM, CLASSICAL STRUCTURE, WITH MOISTURE STOP,  
 TRAPEZOIDAL PLATE SUPPORTING STRUCTURE, BITUMEN SHEET WATERPROOFING



- 1 TRAPEZOIDAL PLATE
- 2 MOISTURE STOP AND TEMPORARY SAFETY WATERPROOFING FROM BITUMEN SHEET
- 3 THERMAL INSULATION
- 4 BITUMEN SHEET WATERPROOFING LAID LOOSE AND MECHANICALLY ANCHORED
- 5 FLAT-ROOF DRAIN HL64H WITH INSULATED DRAIN BODY, WITH FACTORY WELDED BITUMEN MEMBRANE  $\phi 500$  mm, THICKNESS 4 mm
- 6 EXTENSION HL65H WITH FLANGE AND FACTORY WELDED BITUMEN MEMBRANE  $\phi 500$  mm, THICKNESS 4 mm
- 7 DOMED PLASTIC GRATE  $\phi 180$  mm (INCL. WITH HL64H)
- 8 MOUNTING METAL PLATE
- 9 ANCHOR BOLT

NOTE:

FLAT-ROOF DRAIN HL64.1H HEATED (230V, 10-30 WATTS) CAN BE USED.

ASSEMBLY INLET:  $\phi 270$  MM