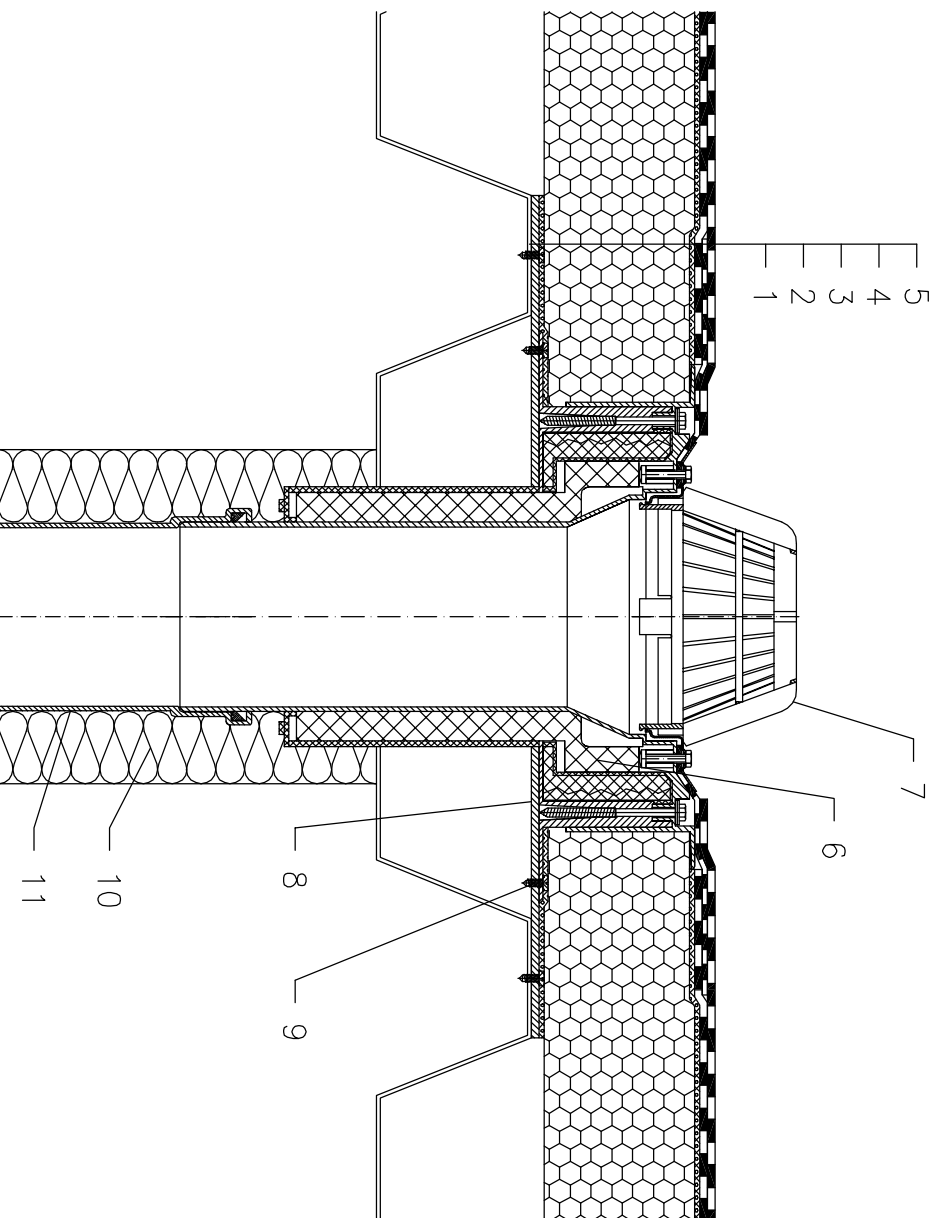


WARM ROOF – GLUED SYSTEM, CLASSICAL COMPACT STRUCTURE, BITUMEN SHEET WATERPROOFING
 TRAPEZOIDAL PLATE SUPPORTING STRUCTURE



- 1 TRAPEZOIDAL PLATE
- 2 HOT BITUMEN
- 3 THERMAL INSULATION – CELLULAR GLASS
- 4 HOT BITUMEN
- 5 BITUMEN SHEET WATERPROOFING GLUED
- 6 FLAT-ROOF DRAIN HL63H DRAINBOX, WITH INSULATED DRAIN BODY, TELESCOPED OUTER-HOUSING FOR PRECISE ADJUSTMENTS TO INSULATIONS 100–160 mm, FACTORY WELDED BITUMEN MEMBRANE ϕ 500 mm, THICKNESS 4 mm
- 7 DOMED PLASTIC GRATE ϕ 180 mm (INCL. WITH HL63H)
- 8 MOUNTING METAL PLATE
- 9 ANCHOR BOLT
- 10 DOWNPIPE THERMAL INSULATION
- 11 DOWNPIPE

NOTE:

FLAT-ROOF DRAIN HL63.1H HEATED (230V, 10–30 WATTS) CAN BE USED.

ASSEMBLY INLET: ϕ 200 MM