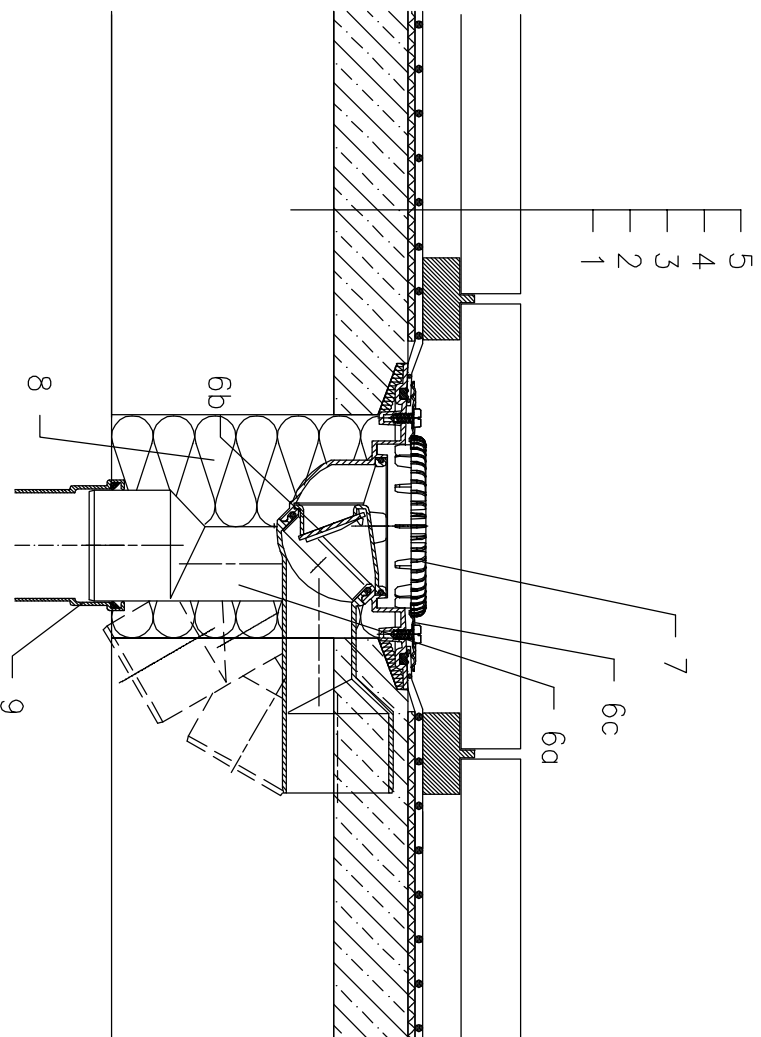


# ROOFS WITHOUT THERMAL INSULATION – TERRACE, PAVERS ON STANDS, PLASTIC FOIL



- 1 SUPPORT CONSTRUCTION
- 2 CONCRETE GRAVITY LAYER
- 3 SEPARATING LAYER
- 4 PLASTIC FOIL WATERPROOFING
- 5 PAVERS ON STANDS
- 6a DRAIN BODY HL80K WITH FLANGE
- 6b FROST-PROOF FLAP HL080.4E
- 6c SEALING KIT HL83.0 – WITHOUT SHEETING,  
(ALL-PURPOSE FOR UNRUFFED ROOF SHEETINGS)  
(ALL-PURPOSE FOR UNRUFFED ROOF SHEETINGS)  
alternative HL83.P – WHEN USING PVC SHEETINGS)
- 7 FLAT LEAF STRAINER HL181  
alternative LEAF STRAINER HL080.8E
- 8 ASSEMBLY FOAM
- 9 DOWNPIPE

## NOTICE:

TO HEAT THE DRAIN, YOU MAY USE HEATING KIT HL82 WITH SELF-REGULATING HEAT SOURCE 18W/220V. (THE HEATING TAPE MUST BE WRAPPED AROUND THE DRAIN BODY BEFORE INSTALLATION).  
RECOMMENDED BOREHOLE DIAMETER IS  $\varnothing 150\text{mm}$ .  
DURING INSTALLATION TAKE CARE, THAT THE FLANGE POSITION IS ON THE LOWEST LEVEL OF DRAINAGE. WE RECOMMEND, TO SITE IT APPR. 1cm BELOW THE SCREED.  
TO AVOID CONDENSATE WATER TAKE CARE OF THERMAL INSULATION ON THE CONSTRUCTION SITE.