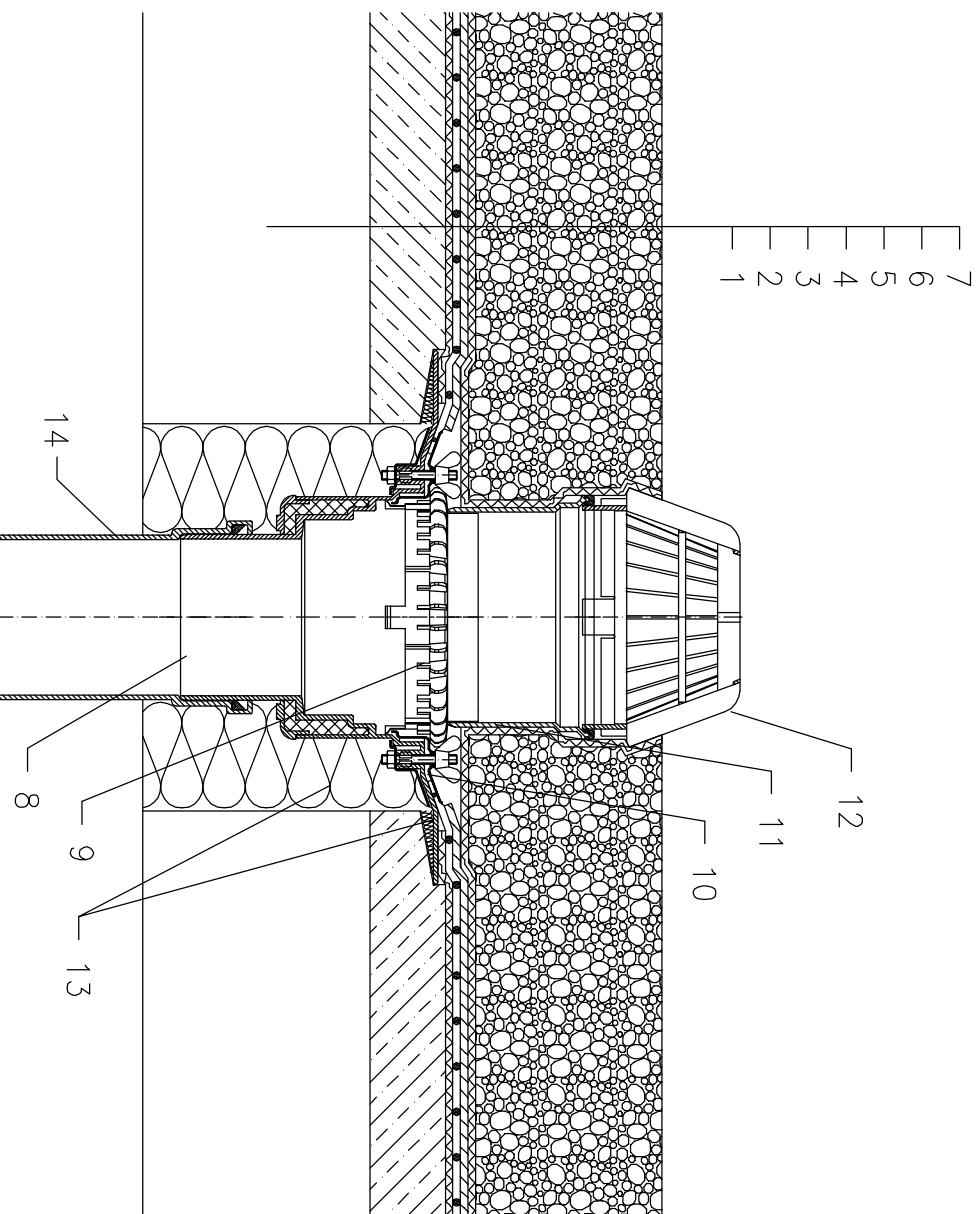


NON-INSULATED – LOADED SYSTEM, PLASTIC FOIL WATERPROOFING



- 1 SUPPORT CONSTRUCTION
- 2 GRAVITY LAYER
- 3 DILATATION AND SEPARATING LAYER
- 4 PLASTIC FOIL WATERPROOFING NON-SOLID GLUED OR LAID LOOSE
- 5 DRAINAGE LAYER
- 6 FILTER LAYER
- 7 STABILIZING LAYER
- 8 FLAT-ROOF DRAIN HL62 WITH INSULATED DRAIN BODY, FLANGE AND STAINLESS STEEL CLAMPING RING
- 9 GRAVEL GUARD HL160
- 10 SEALING PACKING (SEE DETAIL-ACCESSORIES)
- 11 EXTENSION HL350
- 12 DOMED PLASTIC GRATE $\phi 180$ mm (INCL. WITH HL62)
- 13 ASSEMBLY FOAM
- 14 DOWNPIPE

NOTE:

FLAT-ROOF DRAIN HL62.1 HEATED (230V, 10-30 WATTS) CAN BE USED.

ASSEMBLY INLET: $\phi 220$ MM, ALTERNATIVELY 240X360 MM