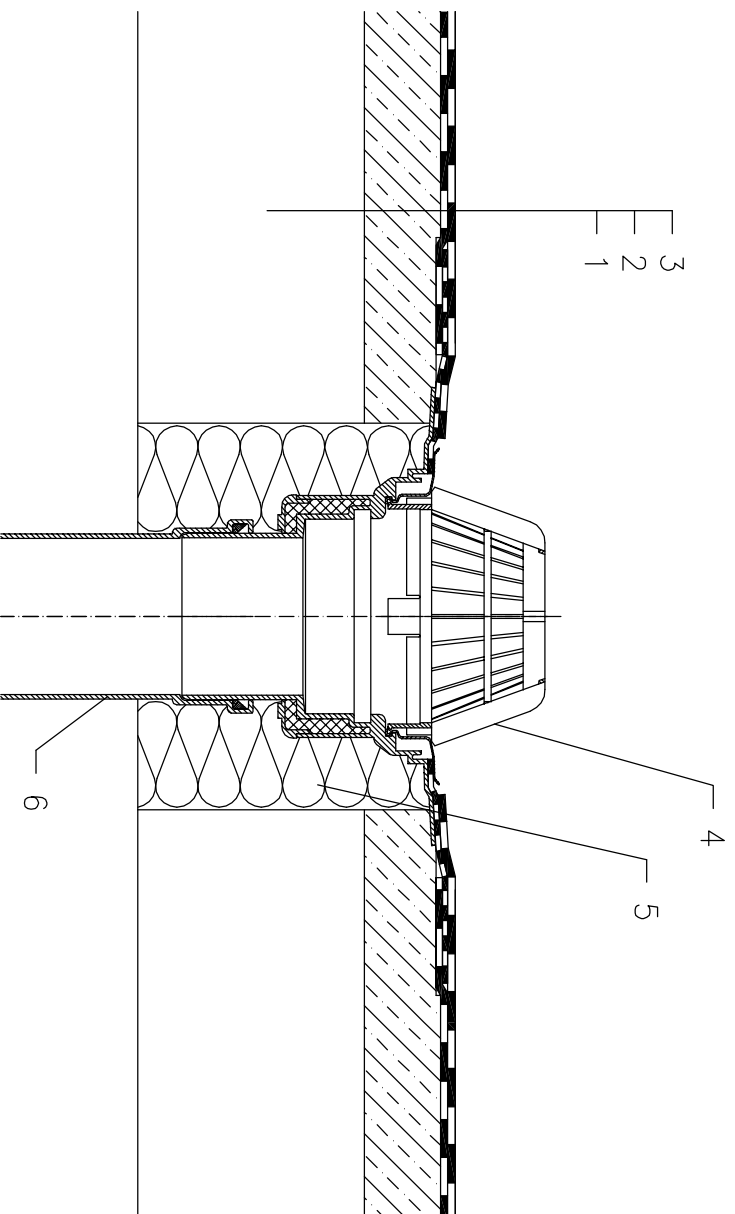


# NON-INSULATED – GLUED SYSTEM, BITUMEN SHEET WATERPROOFING



- 1 SUPPORT CONSTRUCTION
- 2 GRAVITY LAYER
- 3 BITUMEN SHEET WATERPROOFING NON-SOLID GLUED
- 4 FLAT-ROOF DRAIN HL62H WITH INSULATED DRAIN BOX WITH FACTORY WELDED BITUMEN MEMBRANE  $\varnothing$ 500 mm THICKNESS 4 mm, DOMED PLASTIC GRATE  $\varnothing$ 180 mm
- 5 ASSEMBLY FOAM
- 6 DOWNPIPE

**NOTE:**

FLAT-ROOF DRAIN HL62.1H HEATED (230V, 10-30 WATTS) CAN BE USED.

ASSEMBLY INLET:  $\varnothing$ 220 MM, ALTERNATIVELY 240X360 MM